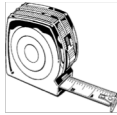


TOOLS REQUIRED FOR INSTALLATION:



Pencil



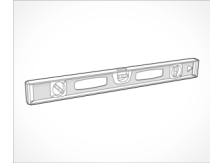
Tape Measure



Drill w/ No. 2 Phillips tip
& 3/16" Drill Bit

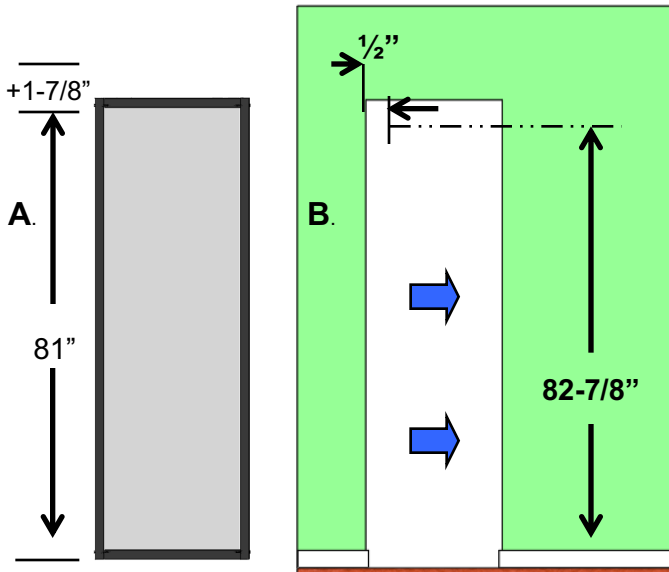


Roller Adjustment Wrench &
Allen Wrench's (Included)



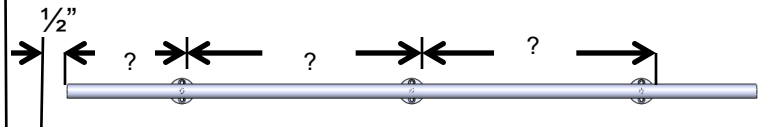
Level

1. Track Placement.



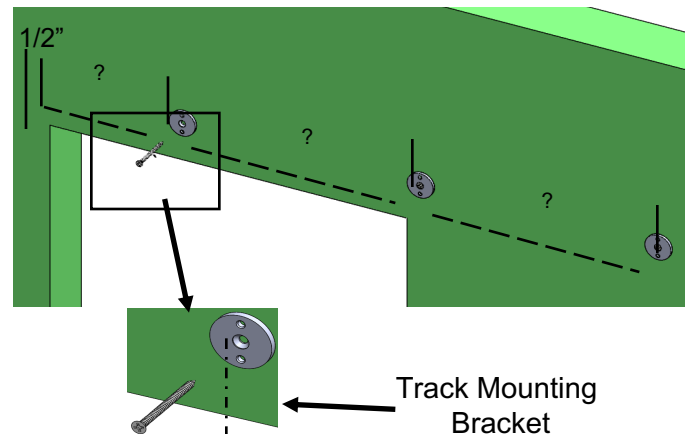
- A. The horizontal centerline of the track is established by measuring the door height and adding 1-7/8". (Example: 81" tall door + 1-7/8" equals 82-7/8" off of the finished floor. Use a level to plumb and draw the horizontal line.)
- B. If the door is opening to the right, measure from the top left side of the opening over 1/2" and make a mark on the horizontal line. (If the door is opening to the left, use the same measurements but work from the right side of the opening).

Track Placement (Continued)



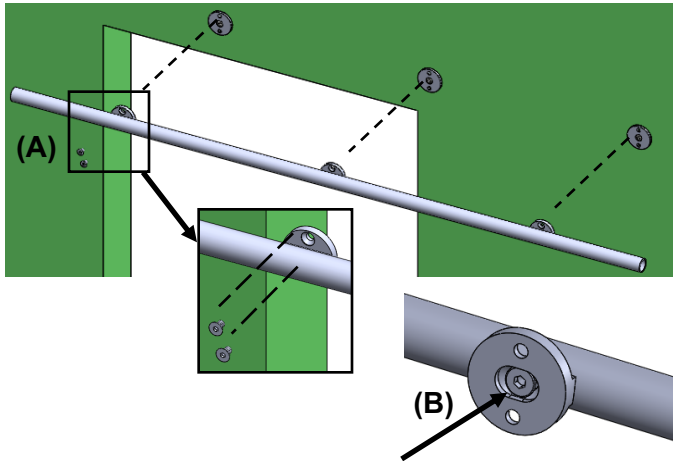
Measure the distance from the end of the track to the center of the first mounting bracket and draw a line that distance from the 1/2" mark. Repeat the process of measuring from center to center of each mounting bracket and mark the appropriate locations for each bracket on wall.

2. Securing Track Brackets to Wall.



- A. Pre-drill the mounting holes using a 3/16" drill bit at all marked locations.
- B. Attach the mounting brackets to the wall using **M6 x 70mm** screws. (The holes above and below the mounting screw must be in a vertical line for mounting to the track.)

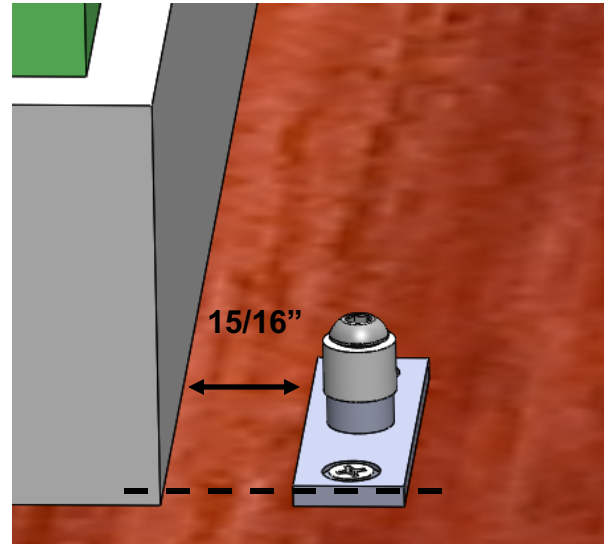
3. Installing Track.



Adjustability on back side of track

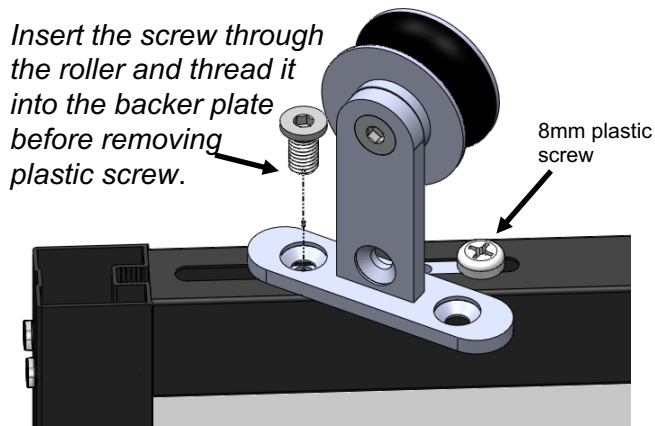
- A. Mount the track to the brackets using **M6 x 10** mounting screws.
- B. There is approximately 1/4" of horizontal adjustability to the brackets that are mounted to the track. (1/8" in either direction.)

4. Installing Bottom Guide



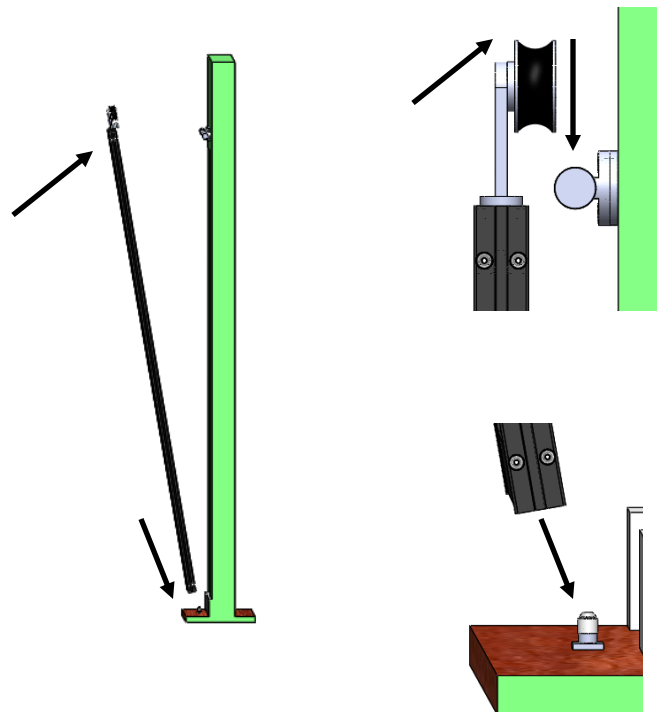
- A. Position the bottom guide as shown and secure it to the floor. **If no baseboards, the dimension from the wall is 1-7/16"**. Depending on the floor type, wall anchors may be required.

5. Door Assembly



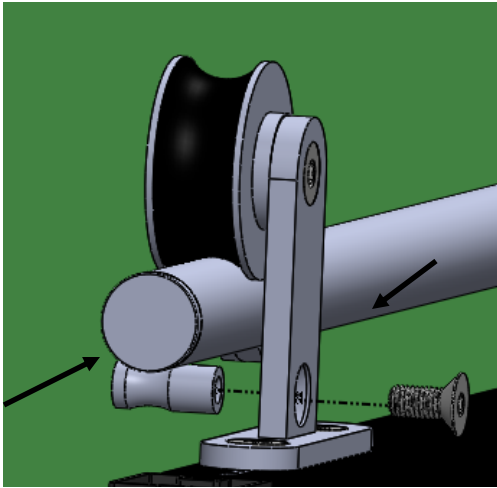
- A. Each door has two backer plates pre installed in the top rail. Each backer plate is held in place with one plastic 8mm screw. **It is critical that the roller be attached to the backer plate as shown before removing the plastic screw. Once the screw attaching the roller is in place remove the plastic screw and rotate the roller to align the second screw with the backer plate and thread it into the backer plate.** The slots allow adjustment of the rollers to a position that works best with the door stops.

6. Door Installation



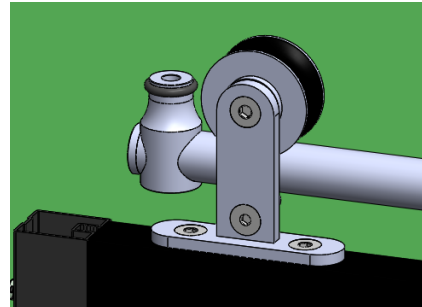
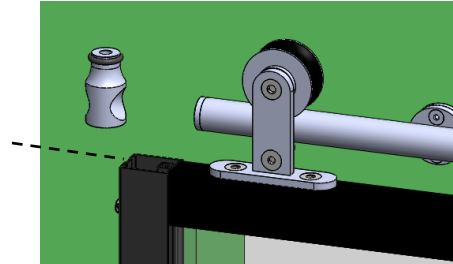
- A. Position the bottom of the door over the bottom guide while simultaneously guiding the rollers onto the track.

7. Anti-Jump installation



- A. Install the anti jump feature into each roller as shown and tighten.

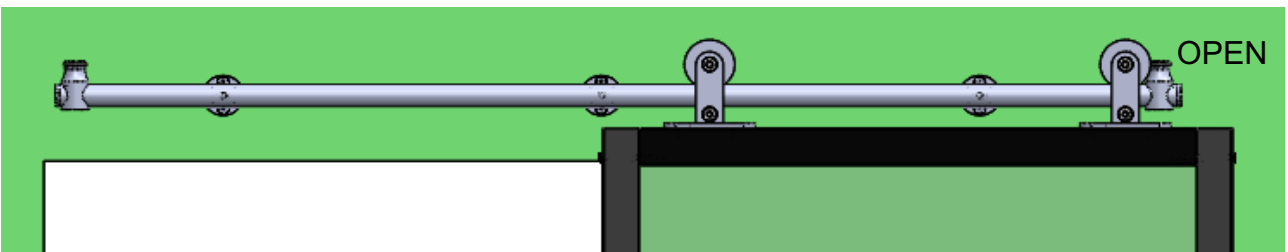
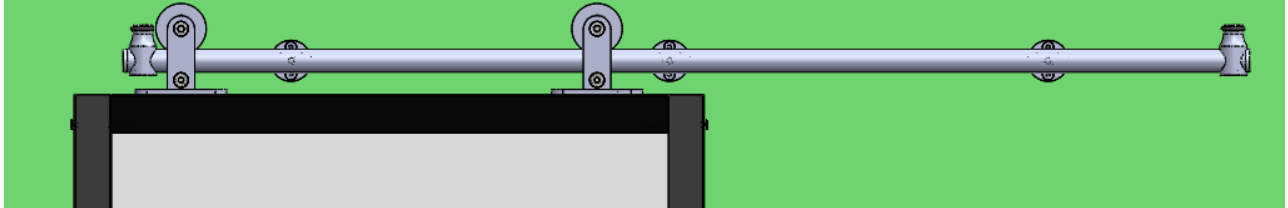
8. Track Stop Installation



- A. At each end of the track install the Anti-Jumps as shown.

9. Track Stop Adjustment

CLOSED



OPEN

- In most cases the door will be 3" wider than the opening. This allows for the door to overlap the opening 1-1/2" on each side.
- Move the door to the closed position and slide the anti-jump towards the roller. Using a 3mm allen wrench tighten the anti-jump, locking it in place.
- Move the door to the open position and slide the anti-jump towards the roller. Using a 3mm allen wrench tighten the anti-jump, locking it in place.